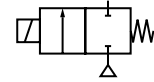


# PILOT VALVES

normally closed, direct operated  
threaded body, 1/8 and M10  
Ø6 mm push-in fitting

NC



2/2  
Series  
257

## FEATURES

- Two way NC pilot valves for dust collector service
- Normally closed direct acting
- Rugged forged brass body construction
- Designed for panel mounting
- Compact, low weight construction
- The components satisfy all relevant EC directives

## GENERAL

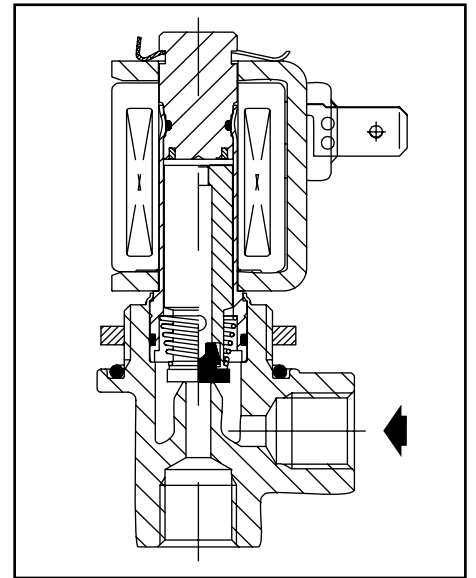
**Differential pressure (PS)** 0 - 8,5 bar [1 bar = 100kPa]  
**Response times** 8 ms

| fluids | temperature range (TS) | seal material |
|--------|------------------------|---------------|
| air    | 0 to +75°C             | NBR (nitrile) |



## CONSTRUCTION

|                         |  |
|-------------------------|--|
| <b>Body</b>             | Brass  |
| <b>Core tube</b>        | Stainless steel  |
| <b>Core and plugnut</b> | Stainless steel  |
| <b>Springs</b>          | Stainless steel  |
| <b>Shading coil</b>     | Copper   |
| <b>Connection</b>       | Spades 2x DIN-46244 (A 6.3x0.8) or<br>leaded coil 460 mm |



## ELECTRICAL CHARACTERISTICS

**Standard voltages** DC (=) : 24V  
(Other voltages and 60 Hz on request) AC (~) : 24V - 115V - 230V / 50 Hz

| coil type    | nominal power ratings |         |     |          | ambient temperature range (°C) | protection  | replacement coil |            |
|--------------|-----------------------|---------|-----|----------|--------------------------------|-------------|------------------|------------|
|              | inrush                | holding |     | hot/cold |                                |             | ~                | =          |
|              | (VA)                  | (VA)    | (W) | (W)      |                                |             | 230 V/50 Hz      | 24 V DC    |
| UCM22-FI (1) | 20,4                  | 14      | 10  | 15/22    | -20 to +85                     | IP00 / IP65 | 400137-697       | 400137-642 |

## SPECIFICATIONS

| pipe connection   |        | orifice size (mm) | flow coefficient Kv |         | operating pressure differential (bar) |              |     | coil type |          | catalogue number |             |
|---|--------|-------------------|---------------------|---------|---------------------------------------|--------------|-----|-----------|----------|------------------|-------------|
| inlet   | outlet |                   | (m³/h)              | (l/min) | min                                   | maximum (PS) |     | ~         | =        | spades           | leaded      |
| <b>Threaded pipe connection</b>   |        |                   |                     |         |                                       |              |     |           |          |                  |             |
| Rp 1/8  | Rp 1/8 | 3,6               | 0,35                | 5,8     | 0                                     | 8,5          | 8,5 | UCM22-FI  | UCM22-FI | US E257A001      | UL E257A001 |
| <b>Integrated push-in fitting</b>   |        |                   |                     |         |                                       |              |     |           |          |                  |             |
| Ø 6mm   | Rp 1/8 | 3,6               | 0,35                | 5,8     | 0                                     | 8,5          | 8,5 | UCM22-FI  | UCM22-FI | US E257A002      | UL E257A002 |
| <b>Threaded inlet for compression fitting for 6 mm nut + olive (Legris)</b> |        |                   |                     |         |                                       |              |     |           |          |                  |             |
| M10 x 1,0   | Rp 1/8 | 3,6               | 0,35                | 5,8     | 0                                     | 8,5          | 8,5 | UCM22-FI  | UCM22-FI | US E257A003      | UL E257A003 |

(1) Intermittent duty, Relative Duty Time is 10%. Max. on time 1 min.

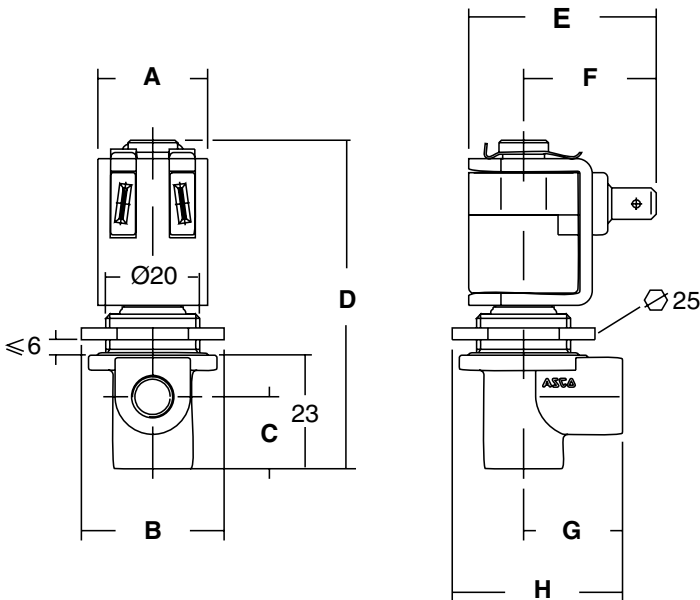
**OPTIONS**

- Epoxy moulded leaded coils or coils with spade plug connector (3 x DIN-46244)
- Pipe connection E = Rp (ISO 7/1) or compression type fitting inlet
- Pilot valves can be equipped with explosion proof solenoids for hazardous locations according to "ATEX" and national standards

**INSTALLATION**

- The solenoid valves are open frame constructions, designed for panel mount or stand alone and can be installed in any position without affecting operation
- Recommended maximum panel thickness is 6,0 mm and panel passage Ø 20 mm
- Installation/maintenance instructions are included with each valve
- Replacement coils are available

**DIMENSIONS (mm), WEIGHT (kg)**



| catalogue number<br>E257 | A  | B  | C  | D  | E  | F  | G  | H  | weight |
|--------------------------|----|----|----|----|----|----|----|----|--------|
| All types                | 22 | 29 | 15 | 67 | 38 | 27 | 20 | 34 | 0,18   |