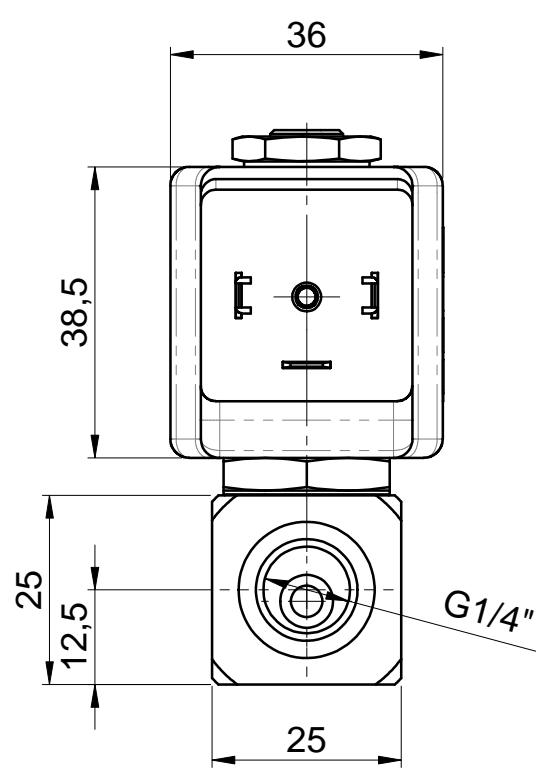
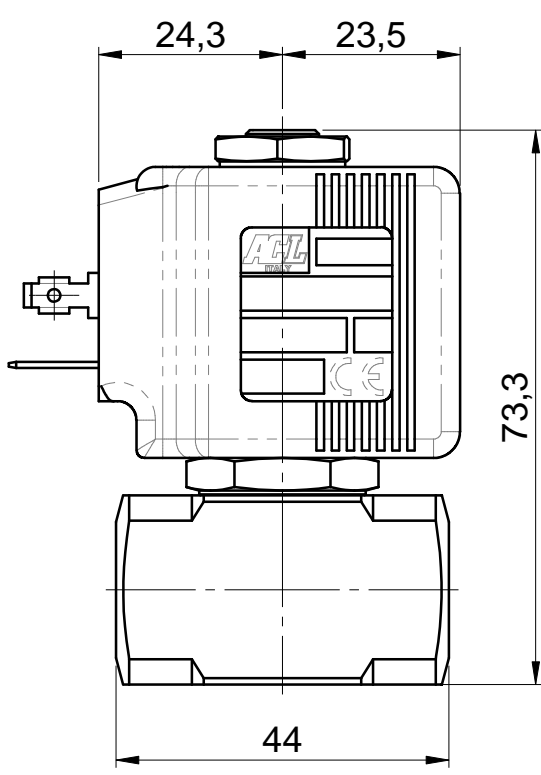
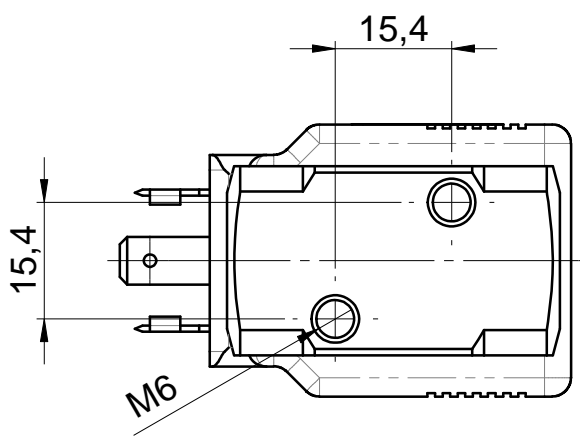


mod. PRG-12 Rev. 0
 A TERMINI DI LEGGE È VIETATO A CHIUNQUE RIPRODURRE O RENDERE NOTO A TERZI QUESTO DOCUMENTO COME PIÙ
 UTILIZZARNE IL CONTENUTO SENZA PREVENTIVA AUTORIZZAZIONE SCRITTA DI ACL S.p.A. OGNI INFRAZIONE COMPORTA IL
 RISARCIMENTO DEI DANNI CONSEGUENTI.
 COPYING OF THIS DOCUMENT, DISCLOSING IT TO THIRD PARTIES OR USING CONTENTS THEREOF FOR
 ANY PURPOSES WITHOUT EXPRESS WRITTEN AUTHORIZATION BY ACL S.p.A. IS LEGALLY FORBIDDEN. ANY
 OFFENDERS ARE LIABLE TO PAY ALL RELEVANT DAMAGES.

1		2	
COIL	VOLTAGE	POWER	TOLERANCE
52A	12V	30VA	+15% / -10%
52B	24V	30VA	+15% / -10%
52D	110V	30VA	+15% / -10%
52E	230V	30VA	+15% / -10%
520	12V DC	27W	±10%
521	24V DC	27W	±10%

3		4	
TECHNICAL DATA			
FUNCTION	2/2 Way Normally Closed		
OPERATING PRESSURE Differential (M.O.P.D.)	0 ÷ 100 bar		
NOMINAL DIAMETER	Ø1.2		
SEAL MATERIAL	FKM		
WORKING TEMP.	-10° ÷ +80°C		
COIL INSULATION CLASS	H (+180°C)		
PROTECTION CLASS	IP65 with DIN connector fitted IP00 with fast-on free		
INLET VOLTAGE	See the table		
SERVICE	ED 100%		
BODY MATERIAL	AISI 304		
ARMATURE TUBE	AISI 303		
PLUNGER AND CORE	IMRE		
SPRING	-		
SEAL	-		
SAFE WORKING PRESSURE*	150		
UNIVERSAL MOUNTING POSITION			



*Safe Working Pressure Is the line or system pressure to which the valve may be subjected without being damaged.

-							
No Rev No Ref	DATA DATE	DESCRIZIONE MODIFICA MODIFY DESCRIPTION		CREATO CREATED	APPROVATO APPROVED		
FORMATO FORMAT	A4	SCALA SCALE	1:1	QUOTE SENZA TOLLERANZA UNSPECIFIED TOLERANCE	Angoli Angle	±1°	NOTE NOTES
FOGLIO SHEET	1/1	NOME FILE FILE NAME	E110BV12	0 ÷ 3 = ±0.1 3 ÷ 6 = ±0.12 6 ÷ 10 = ±0.15 10 ÷ 18 = ±0.18 18 ÷ 30 = ±0.21	30 ÷ 50 = ±0.25 50 ÷ 80 = ±0.3 80 ÷ 120 = ±0.35 120 ÷ 180 = ±0.4 180 ÷ 250 = ±0.46	DATA EMISSIONE DISEGNO DATE DRAWING ISSUE	12.09.18
MATERIALE MATERIAL		TITOLO TITLE	Solenoid Valve Type 110 2/2 N.C. - Ø1.2 - G1/4"	No DISEGNO DWG NO	E110BV12	SOSTITUISCE CODICE REPLACES CODE	
TRATTAMENTO TREATMENT							

