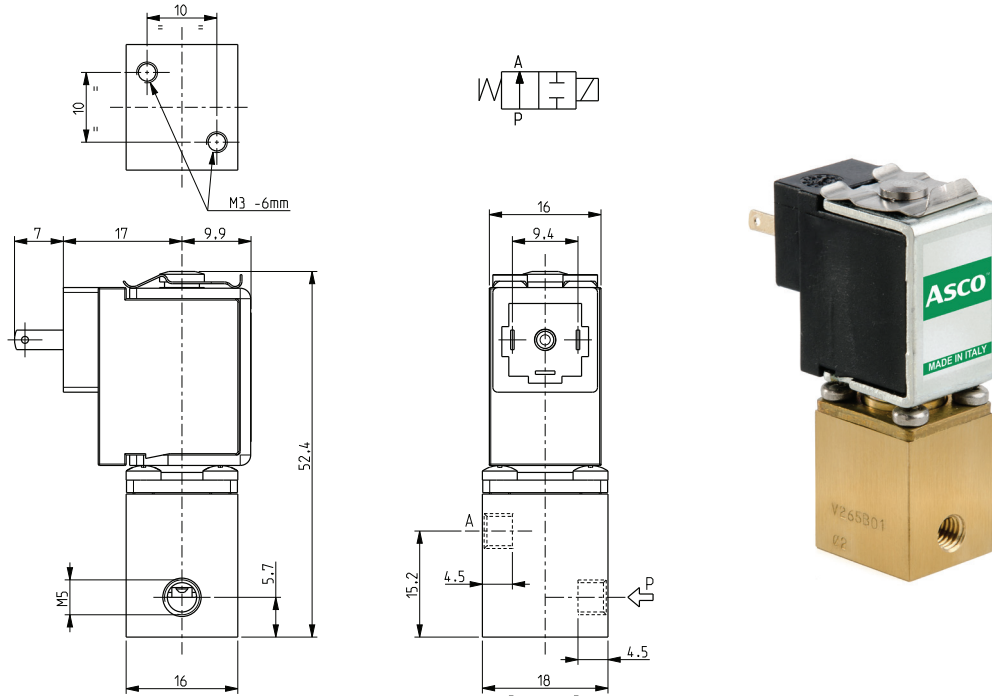


ASCO™ MICRO SOLENOID VALVE

2/2 NORMALLY OPEN – DIRECT ACTING - M5

SERIES
V265



General Features

Direct acting micro solenoid valve; minimum overall dimensions.

Quick response time and high number of cycles.

Suitable to shut off liquid and gaseous fluids (verify the compatibility of fluid with materials in contact).

Technical Features	
Maximum allowable pressure (PS)	16 bar
Opening time	from ~5ms to ~10ms
Closing time	from ~5ms to ~10ms
Fluid temperature	-10°C +90°C
Max viscosity	3°E (-22 cStokes or mm ² /s)

Materials in Contact with Fluid	
Body	Brass
Sealing	NBR
Internal components	Brass, PEI (Polyetherimide) and stainless steel
Seat	PEI
Core tube	Brass

Coil	
Continuous Duty	ED 100%
Encapsulation material	PA (Polyamide) fiberglass reinforced
Insulation class	F (155°C)
Ambient temperature	-10°C +60°C
Electric connections	DIN 46340
Protection degree	IP 65 (EN 60529) with micro plug connector
Voltages	DC 12-24V (+10% -5%) (Other voltages on request)

Port size ISO UNI 4534	Orifice size (mm)	Differential pressure (bar)	Differential pressure (bar)				Kv (m ³ /h)	Series and type		Power absorption			Sealings	Notes	Weight (kg)
			Δp max					Valve	Coil	AC (VA)		DC (W)			
			Gases		Liquids					Inrush	Holding				
M5	1	0	-	10	-	10	0,04	V265B01	ZE30A	-	-	4	NBR	1	0,085
	2		-	3,5	-	3,5									

Notes

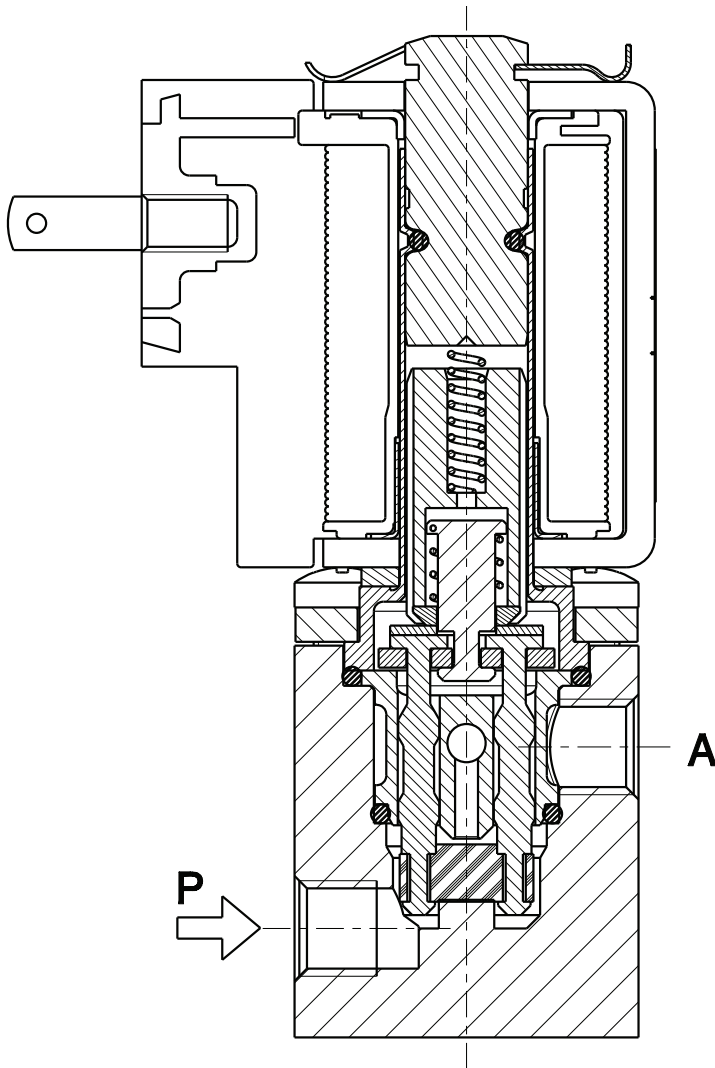
- These micro-solenoid valves are not suitable for stagnating media subject to vaporization which deposit solid, calcareous, incrusting residues or similar.
- Seal: NBR = Nitrile butylene elastomer
- 1 - Model available on request only: ask for minimum quantity.

**SERIES
V265**

ASCO™ MICRO SOLENOID VALVE

2/2 NORMALLY OPEN – DIRECT ACTING - M5

Spare Parts



Installation

- Solenoid valve can be mounted in any position; vertical with coil upwards preferred.

THE VALIDITY OF REPORTED DATA IS REFERRED TO THE DATE OF ISSUE. POSSIBLE UPDATES ARE AVAILABLE ON REQUEST