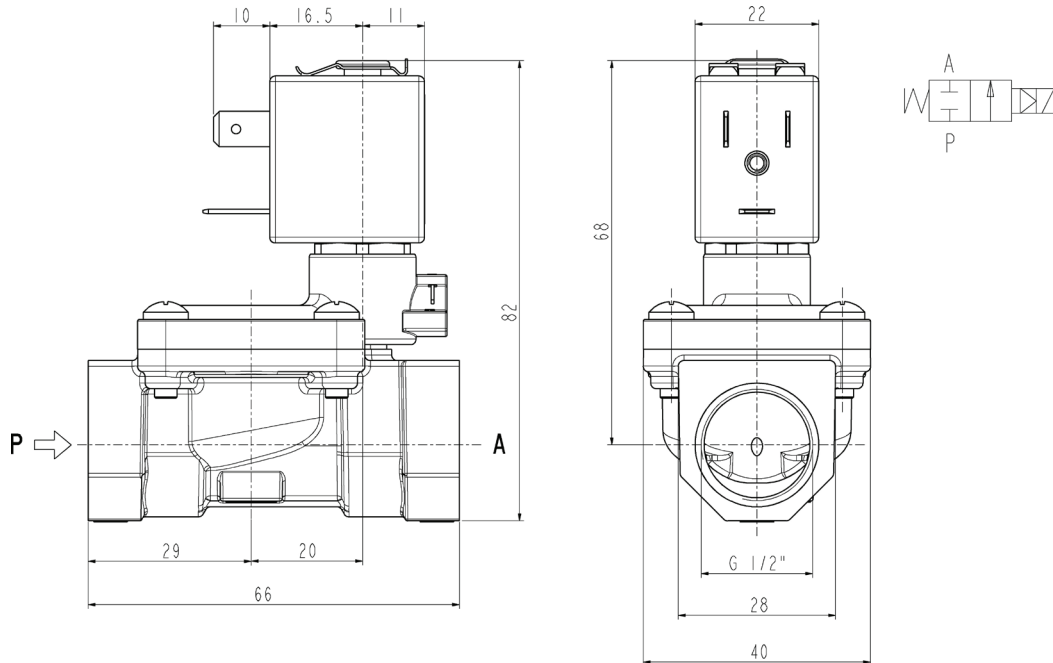


# ASCO™ SOLENOID VALVE

2/2 NORMALLY CLOSED – PILOT OPERATED - G 1/2

**SERIES**  
**L182-B13**



### General Features

Diaphragm valve, pilot operated.

Suitable to shut off liquid and gaseous fluids (verify the compatibility of fluid with material in contact).

Designed in compliance with anti-water hammer standards of EN 60730-2-8.

Technical Features	
Maximum allowable pressure (PS)	20bar
Opening time	~300ms
Closing time	~1000ms
Fluid temperature	-10°C +90°C
Max viscosity	5°E (~37 cStokes or mm <sup>2</sup> /s)

Materials in Contact with Fluid	
Body	Brass
Sealing	NBR
Internal components	Brass and stainless steel
Seat	Brass
Core tube	Stainless steel
Shading coil	Copper

Coil	ZB10A	ZB12A	ZB14A
Approval	/	UL and CSA	UL and CSA
Encapsulation material	PA fiberglass reinforced	PET fiberglass reinforced	PET fiberglass reinforced
Insulation class	F (155°C)	F (155°C)	H (180°C)
Ambient temperature	-10°C +60°C	-10°C +60°C	-10°C +75°C
Continuous duty	ED 100%		
Electric connection	DIN 46340 - 3 poles plug connector		
Protection degree	IP 65 (EN 60529) with plug connector	IP 67 (EN 60529) with plug connector	IP 67 (EN 60529) with plug connector
	DC 12-24V (+10% -5%)		
	AC 24V/50-60Hz - 115V/50Hz - 230V/50-60Hz (+10% -15%) (Other voltages and frequencies on request)		

Port size ISO 228	Orifice size (mm)	Δp min	Differential pressure (bar)				Kv (m <sup>3</sup> /h)	Series and type		Power absorption				Sealings	Notes	Weight (kg)
			Δp max					Valve	Coil	AC (VA)			DC			
			Gases		Liquids					Inrush VA	Holding VA	W				
			AC	DC	AC	DC										
G 1/2	10,2	0,35	12	12	12	12	1,8	<b>L182B13</b>	<b>ZB10A</b> <b>ZB12A</b>	12	6	4	5,5	NBR	-	0,370

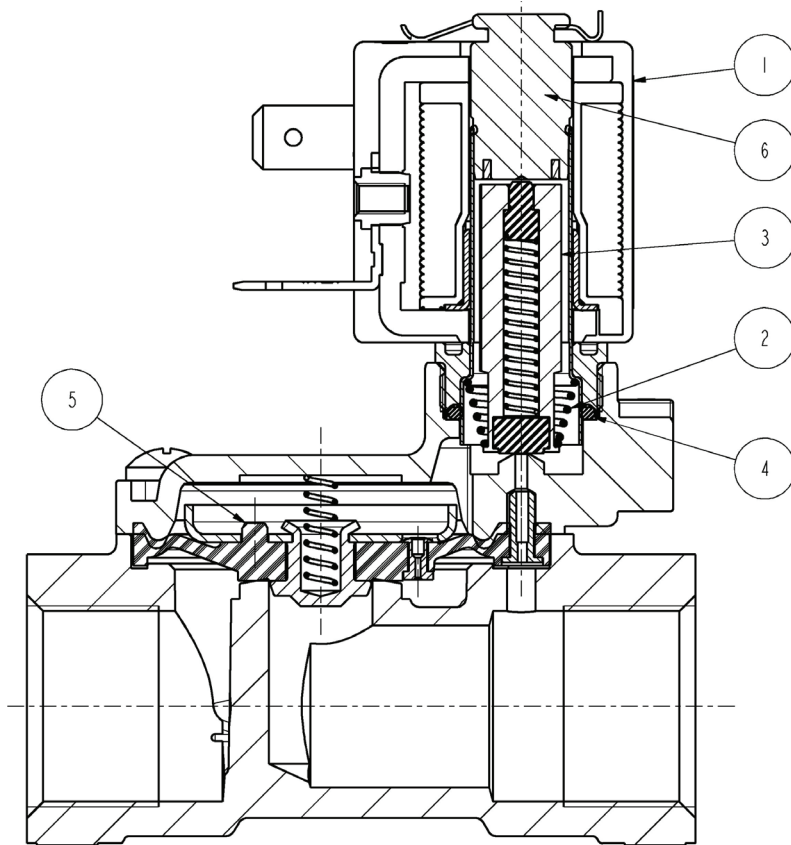
### Notes

- Sealings: NBR=Nitrile-butylene elastomer
- Operation with gaseous media, at high pressure without any outlet restriction, can reduce the diaphragm life.
- On request coil in class H (ZB14A – see § “COIL” )

**SERIES**  
**L182-B13**

**ASCO™ SOLENOID VALVE**  
2/2 NORMALLY CLOSED – PILOT OPERATED - G 1/2

Spare Parts



Kit description	Kit P.N.	Consisting of:
Core kit	G3138201	Core kit pos.2 Core return spring pos. 3 O-Ring guide assembly pos. 4
Diaphragm assembly	2782701R	Diaphragm assembly pos.5
Coil	ZB10 ZB12 ZB14	Coil pos.1

**Installation**

- Solenoid valve can be mounted in any position; vertical with coil upwards preferred.

THE VALIDITY OF REPORTED DATA IS REFERRED TO THE DATE OF ISSUE. POSSIBLE UPDATES ARE AVAILABLE ON REQUEST