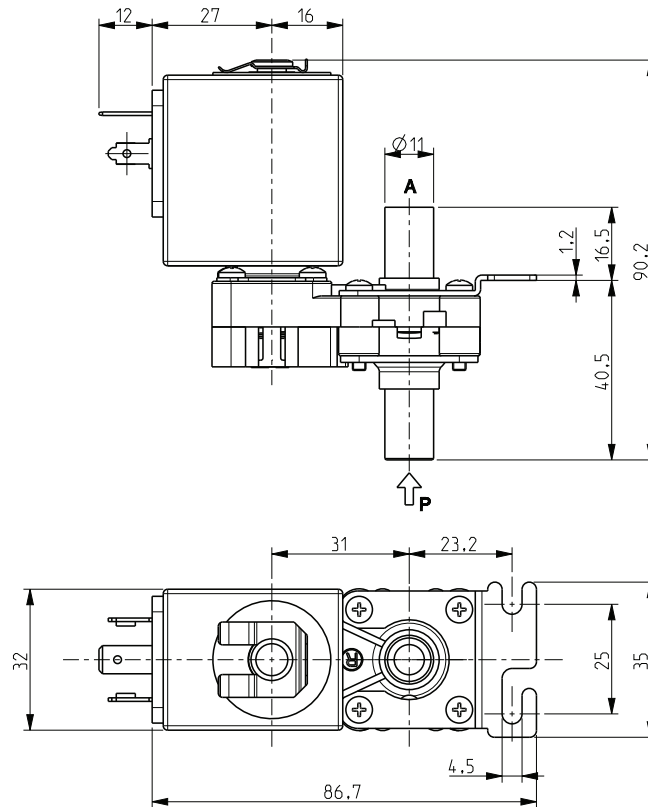


ASCO™ SOLENOID VALVE - DRY

2/2 NO - DIRECT ACTING - TOTAL ISOLATION - BARBED PORT

SERIES
D244



General Features

Direct acting, total isolation solenoid valve: the actuator is totally isolated from the fluid so that the wetted parts are just the body and the lever-seal.

Possibility of disassembling for inspection.

Core duly coated by PTFE (polytetrafluoroethylene) based self lubricating material.

Suitable to shut off liquid and gaseous fluids (verify the compatibility of fluid with materials in contact).

Technical Features	
Maximum allowable pressure (PS)	12 bar
Opening time	~ 25ms
Closing time	~ 25ms
Fluid temperature	-10°C +100°C
Max viscosity	5°E (~37 cStokes or mm ² /s)

Materials in Contact with Fluid	
Body	PEI (Polyetherimide)
Sealing	FPM

Coil		
Continuous Duty	ED 100%	
Encapsulation material	PET (polyethylene terephthalate) fiberglass reinforced	
Insulation class	F (140°C)	
Ambient temperature	-10°C +60°C	
Electric connections	DIN 46340 - 3 poles connector (EN175301-803)	
Protection degree	IP 65 (EN 60529) with plug connector	
Voltages	DC	12-24V (+10% -5%)
	AC	24V/50Hz - 110V/50Hz (120V/60Hz)
		230V/50Hz (+10% -15%)
(Other voltages and frequencies on request)		

Port size	Orifice size (mm)	Differential pressure (bar)				Kv (m ³ /h)	Series and type		Power absorption			Sealings	Notes	Weight (kg)					
		Δp min	Δp max		Valve		Coil	AC (VA)		DC (W)									
			Gases	Liquids				Inrush	Holding										
Barbed port	5,5	0	AC	DC	AC	DC	0,9	0,2	0,9	0,2	0,55	D244V6	Z530A	23	14	9	FPM	-	0,255

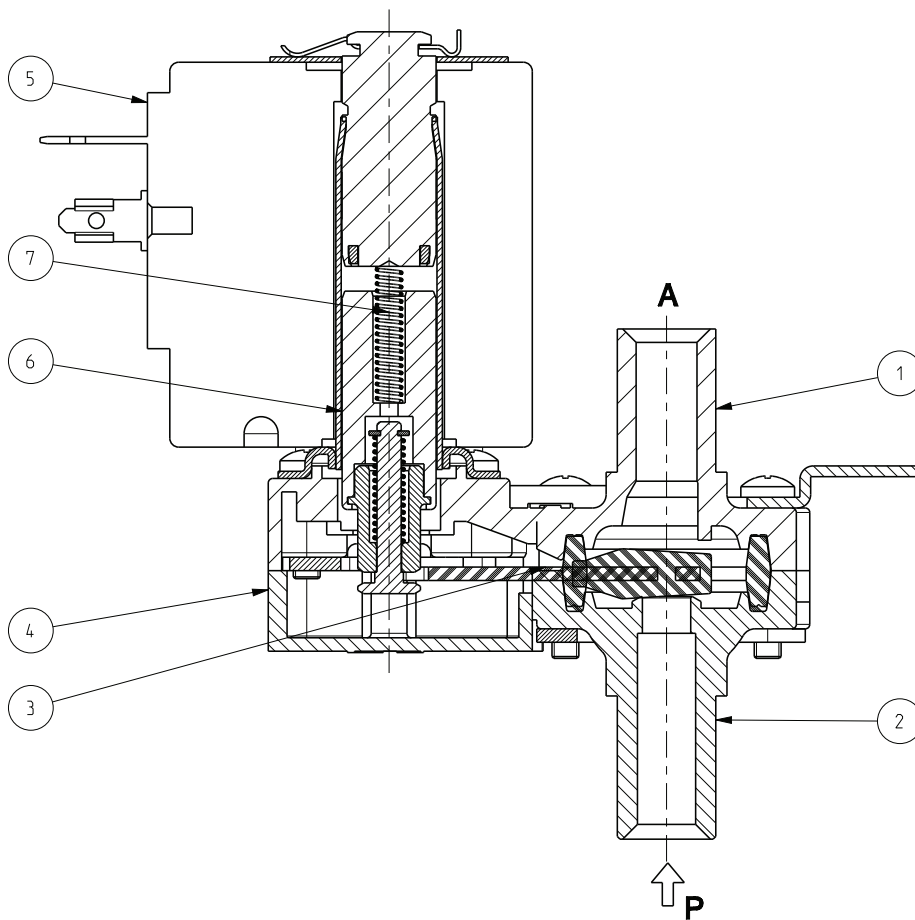
Notes

- Sealing: FPM = Fluoro-carbon elastomer
- Solenoid valve designed for bidirectional use at 0,9 bar (AC). With inlet at A port, the Δp max is 1,5 bar (AC) (monodirectional).

**SERIES
D244**

ASCO™ SOLENOID VALVE - DRY
2/2 NO - DIRECT ACTING - TOTAL ISOLATION - BARBED PORT

Spare Parts



Kit description	Kit P.N.	Consisting of:
Body kit	G2846601	Upper body pos.1 Lower body pos.2
Core kit	G2999301	Core pos.6 Core return spring pos.7
Lever seal	2977702R	Lever seal kit pos. 3
Cover	3119801R	Cover pos. 4
Coil	Z530A	Coil pos. 5

Installation

- Solenoid valve can be mounted in any position.
- In case of disassembling, for usual maintenance, the fixing screws have to be tightened at 0,6 Nm max torque.

THE VALIDITY OF REPORTED DATA IS REFERRED TO THE DATE OF ISSUE. POSSIBLE UPDATES ARE AVAILABLE ON REQUEST