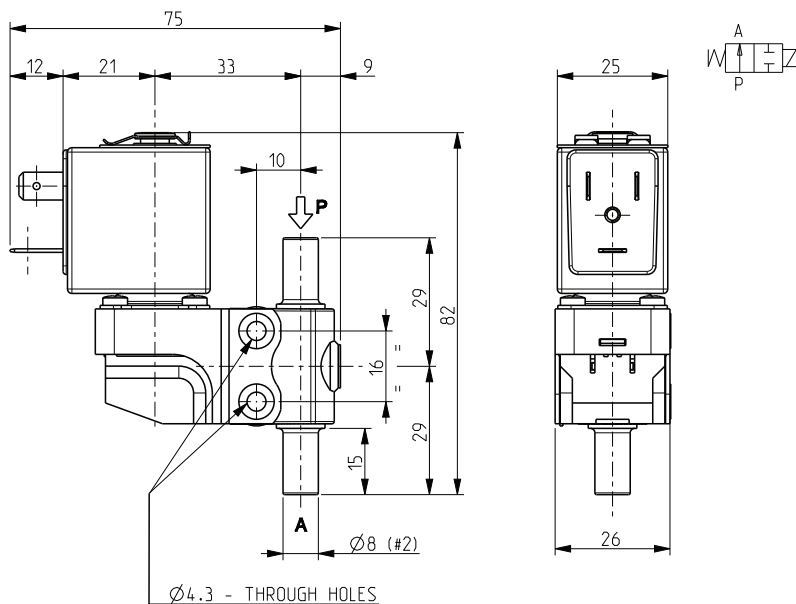


ASCO™ SOLENOID VALVE - DRY

2/2 NORMALLY OPEN - DIRECT ACTING - TOTAL ISOLATION - BARBED PORT

SERIES
D218



General Features

Direct acting, total isolation solenoid valve: the actuator is totally isolated from the fluid so that the wetted parts are just the body and the lever-seal.

Possibility of disassembling for inspection.

Core duly coated by PTFE (polytetrafluoroethylene) based self lubricating material.

Suitable to shut off liquid and gaseous fluids (verify the compatibility of fluid with materials in contact).

Technical Features	
Maximum allowable pressure (PS)	12 bar
Opening time	~ 25ms
Closing time	~ 25ms
Fluid temperature	-10°C +100°C
Max viscosity	5°E (~37 cStokes or mm ² /s)

Materials in Contact with Fluid	
Body	PEI (Polyetherimide)
Sealing	VMQ or FPM or EPDM

Coil		
Continuous Duty	ED 100%	
Encapsulation material	PET (polyethylene terephthalate) fiberglass reinforced	
Insulation class	F (155°C)	
Ambient temperature	-10°C +60 °C	
Electric connections	DIN 46340 - 3 poles connector	
Protection degree	IP 65 (EN 60529) with plug connector	
Voltages	DC	12-24V (+10% -5%)
	AC	24V/50-60Hz - 110V/50-60Hz (120V/60Hz) 230V/50-60Hz (+10% -15%) (Other voltages and frequencies on request)
On request	UL approved version (see notes)	

Approvals

NSF certified – only for D218D03



Port size	Orifice size (mm)	Δp min	Differential pressure (bar)				Kv (m ³ /h)	Series and type		Power absorption			Sealings	Notes	Weight (kg)
			Δp max					Valve	Coil	AC (VA)		DC (W)			
			Gases		Liquids					Inrush	Holding				
AC	DC	AC	DC												
Barbed port	3,4	0	3	3	2,5	2,5	0,30	D218D03 D218S03 D218V03	Z610A	16	10	6	EPDM VMQ FPM	1 - 1	0,150

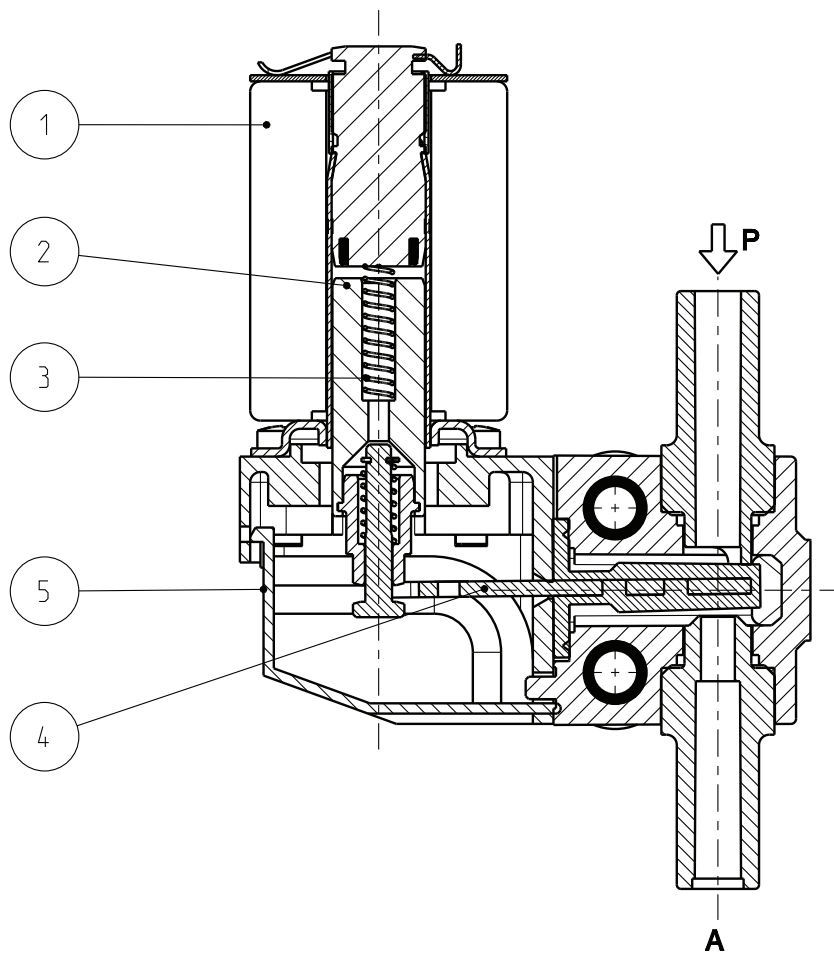
Notes

- Sealings: FPM = Fluoro-carbon elastomer VMQ = Silicone elastomer EPDM = Ethylene-propylene elastomer
- On request UL approved coil (Z614A - class "H" - ambient temperature -10°C +60°C)
- 1 - Model available on request only: ask for minimum quantity.

SERIES
D218

ASCO™ SOLENOID VALVE - DRY
2/2 NORMALLY OPEN - DIRECT ACTING - TOTAL ISOLATION - BARBED PORT

Spare Parts



Kit description	Model	Kit P.N.	Consisting of:
Core kit		G3049601	Core pos.2 Core return spring pos.3
Lever seal	D218D03	2815206R	Lever seal pos.4
	D218S03	2815202R	
	D218V03	2815203R	
Cover kit		G2883901	N. 10 cover pos. 5
Coil		Z610A	Coil pos. 1

Installation

- Solenoid valve can be mounted in any position.

THE VALIDITY OF REPORTED DATA IS REFERRED TO THE DATE OF ISSUE. POSSIBLE UPDATES ARE AVAILABLE ON REQUEST