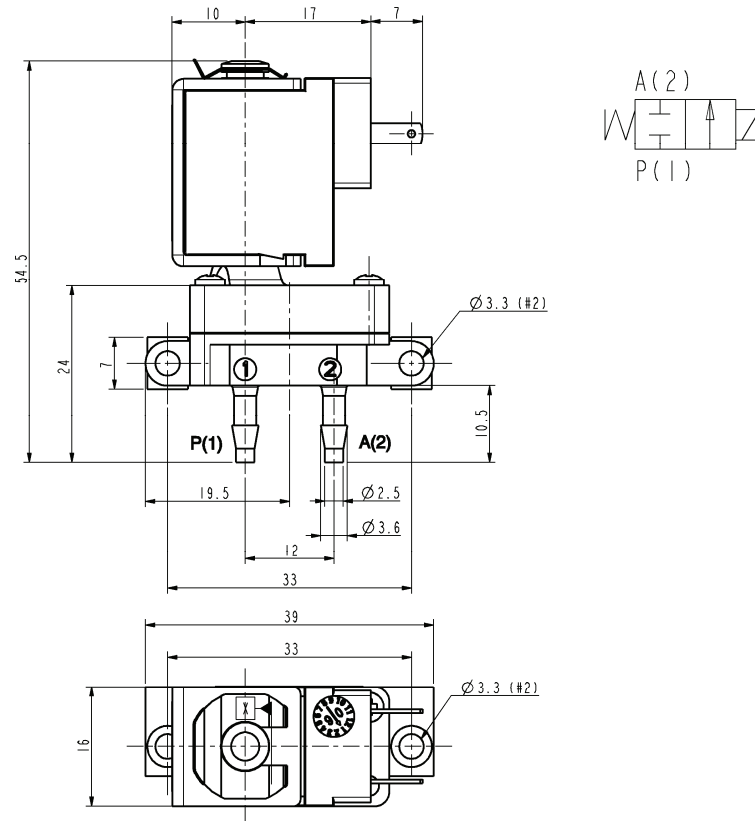


# ASCO™ MICRO SOLENOID VALVE - DRY

2/2 NC - DIRECT ACTING - TOTAL ISOLATION - BARBED PORT

**SERIES**  
**D151-D06-V06**



## General Features

Total isolation micro solenoid valve: the actuator is totally isolated from the fluid so that the wetted parts are just the body and the diaphragm.

Reduced internal volume: 67µl. Possibility of disassembling for inspection.

The parts subject to sliding friction are duly coated by PTFE (polytetrafluoroethylene) based self lubricating material.

Suitable to shut off liquid and gaseous fluids (verify the compatibility of fluid with materials in contact).

Technical Features	
Maximum allowable pressure (PS)	3 bar
Opening time	~ 20ms
Closing time	~ 30ms
Fluid temperature	-10°C +80°C
Max viscosity	5°E (~37 cStokes or mm²/s)

Materials in Contact with Fluid	
Body	PA12 (polyamide)
Sealing	EPDM or FPM

Coil	
Continuous Duty	ED 100%
Encapsulation material	PA (polyamide) fiberglass reinforced
Yoke	External zinc plated steel
Insulation class	F (155°C)
Ambient temperature	-10°C +60°C
Electric connections	DIN 46340
Protection degree	IP 40 (EN 60529) with female wire terminals 2,8x0,5 totally insulated
Voltages	DC 12-24V (+10% -5%) (Other voltages on request)

Port size	Orifice size (mm)	Δp min	Differential pressure (bar)				Kv (m³/h)	Series and type		Power absorption			Sealings	Notes	Weight (kg)
			Δp max					Valve	Coil	AC (VA)		DC (W)			
			Gases		Liquids					Inrush	Holding				
Barbed port	1,5	0	AC	DC	AC	DC	0,03	D151D06 D151V06	ZE30A	-	-	4	EPDM FPM	1	0,040

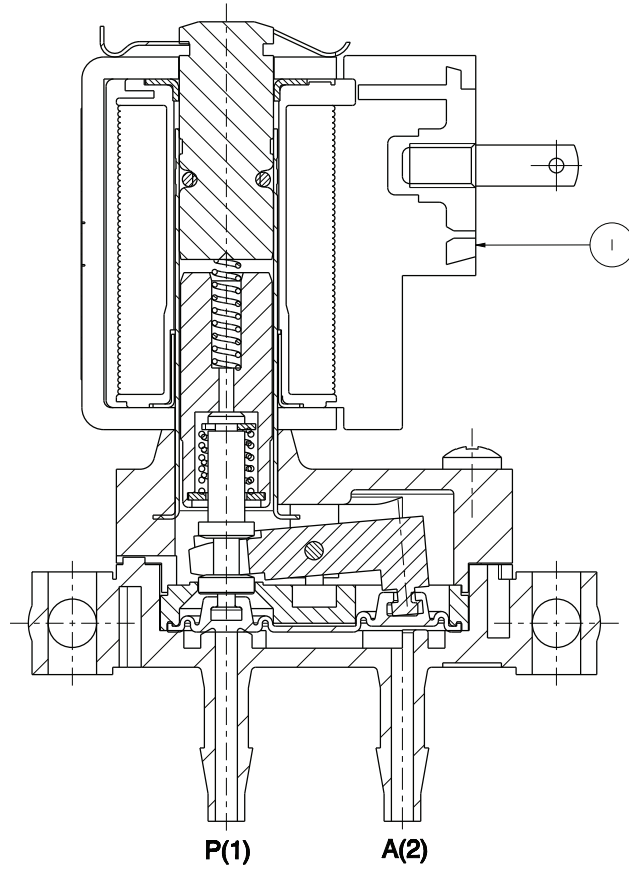
## Notes

- Sealings : FPM = Fluoro-carbon elastomer.
- 1 - Suitable for vacuum at any port up to 530mmHg (0,7 bar)

**SERIES**  
**D151-D06-V06**

**ASCO™ MICRO SOLENOID VALVE - DRY**  
2/2 NC - DIRECT ACTING - TOTAL ISOLATION - BARBED PORT

Spare Parts



Kit description	Kit P.N.	Consisting of:
Coil	ZE30A	Coil pos. 1

**Installation**

- Solenoid valve can be mounted in any position.

THE VALIDITY OF REPORTED DATA IS REFERRED TO THE DATE OF ISSUE. POSSIBLE UPDATES ARE AVAILABLE ON REQUEST